

ELECTRIC
MEDIUM EXCAVATOR

SWE 240FED

Engine Power: **120 kW**

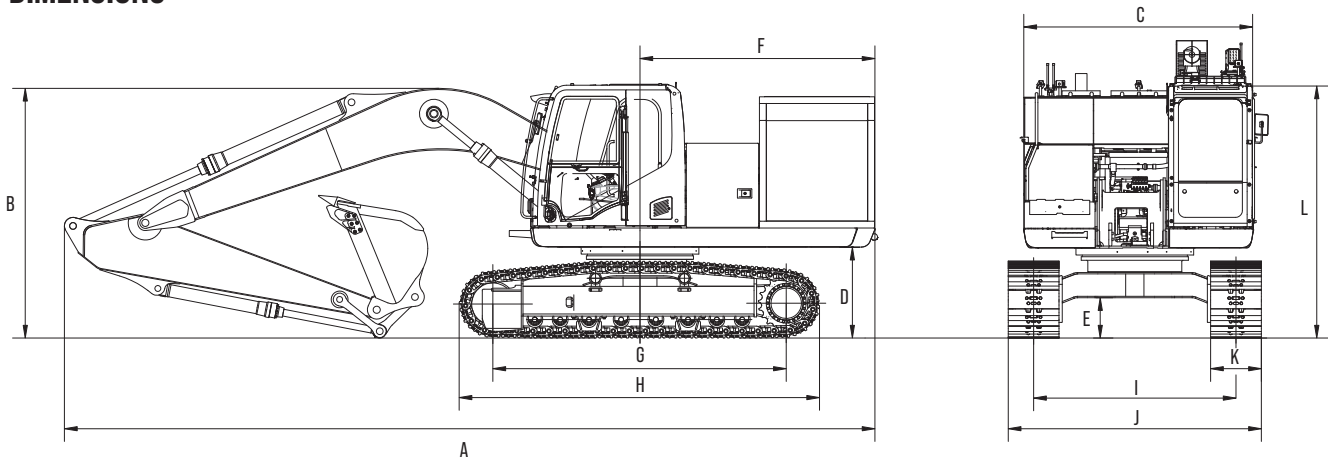
Machine Weight: **23 180 kg**



TECHNICAL PARAMETERS

TYPE OF CAB		Cab
BUCKET CAPACITY		1.0 m ³
MACHINE WEIGHT		23 180 kg
DIMENSIONS	Overall dimension (L × W × H)	9 650 × 2 990 × 3 318 mm
	A Total length	9 650 mm
	B Total height	3 318 mm
	C Upper structure width	2 710 mm
	D Ground clearance of counter weight	1 070 mm
	E Minimum ground clearance	483 mm
	F Tail swing radius	2 770 mm
	G Track length on the ground	3 480 mm
	H Track length	4 260 mm
	I Track gauge	2 388 mm
	J Undercarriage width	2 990 mm
	K Track shoe width	600 mm
L Cab height	3 061 mm	
POWER SOURCE	Battery type	Lithium-ion
	System voltage (DC)	618.24 V
	Battery capacity	> 400 kWh
	Emissions	Zero emissions at point of use
MOTOR	Type	3-Phase asynchronous
	Power	120 kW
TRACK	Type	Steel track
	Track shoe width	600 mm
UNDERCARRIAGE	Track length	4 260 mm
	Traveling speed (High/Low)	5.2/3.3 km/h
SWING SPEED		11.8 rpm
GROUND PRESSURE		50.4 kpa

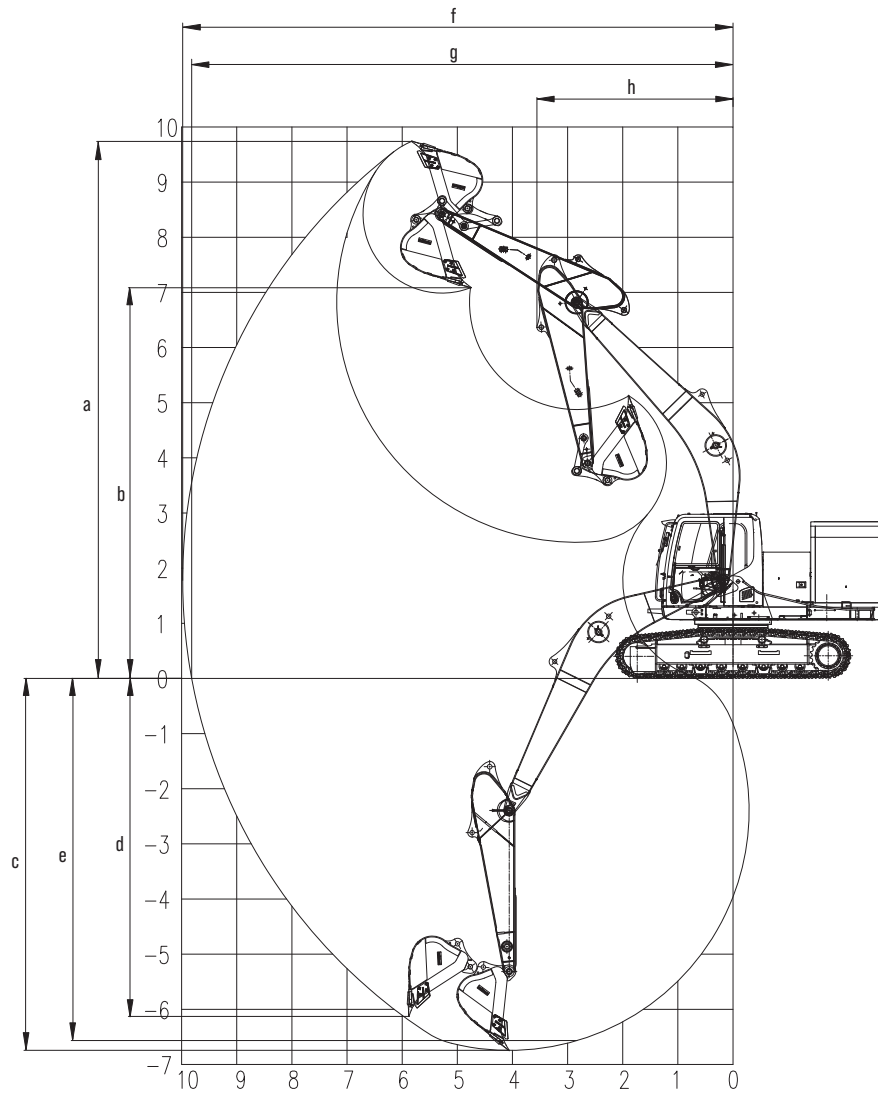
DIMENSIONS



WORKING RANGE

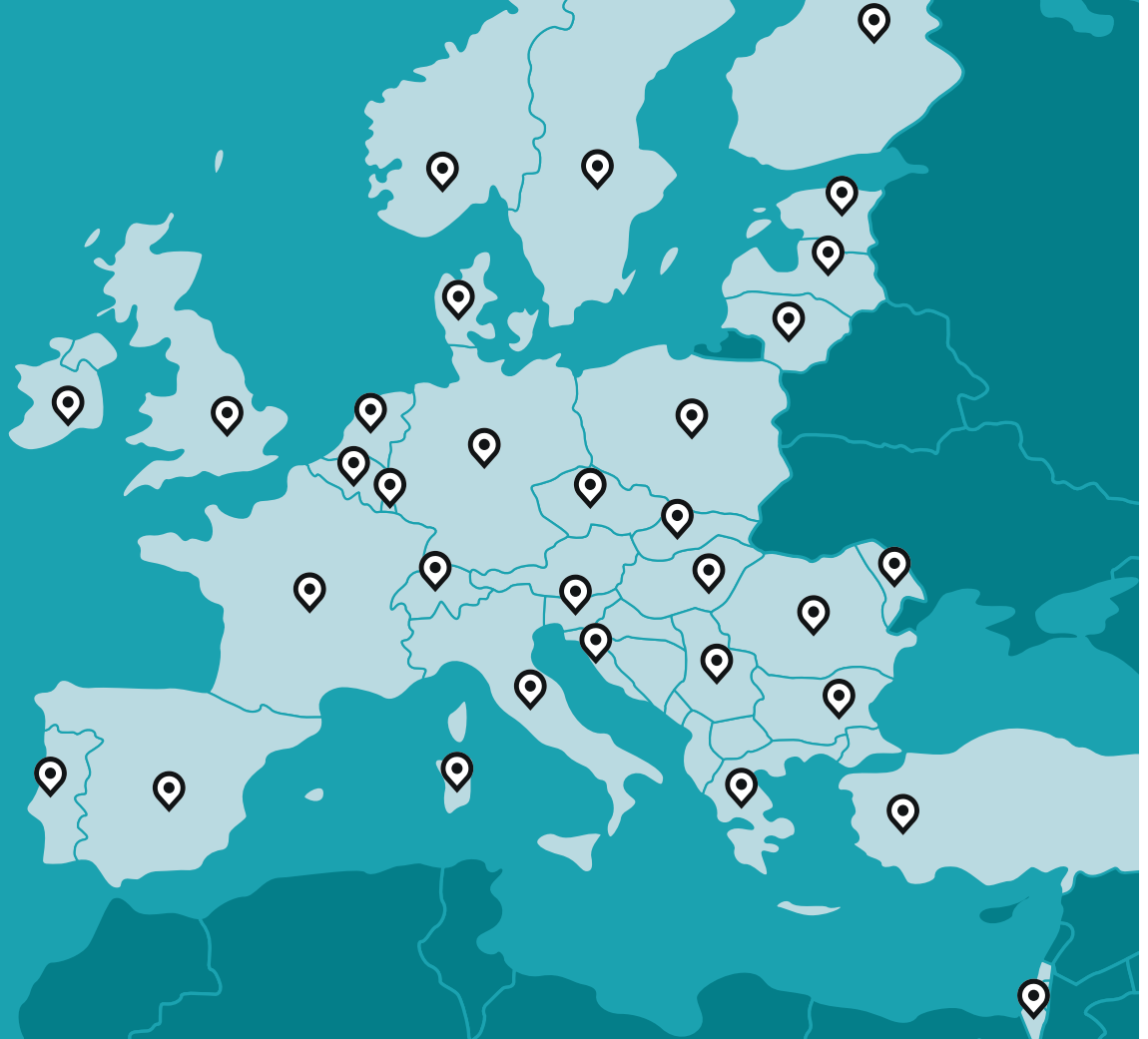
WORKING RANGE & BREAKOUT FORCE

a	Max. cutting height	9 980 mm
b	Max. loading height	9 820 mm
c	Max. digging depth	4 850 mm
d	Max. digging depth (2.4 m)	5 795 mm
e	Max. vertical digging depth	6 750 mm
f	Max. digging reach	9 710 mm
g	Max. reach on ground	7 027 mm
h	Min. front swing radius	1 660 mm



Sunward has one or more dealers
in each of these  countries.

Please check our website for our current list of dealers.



SUNWARD EUROPE HEAVY INDUSTRY N.V

✉ Havenlaan 1
B-3980 TESSENDERLO
Belgium

☎ +32 (0) 11 43 46 66
▶ info.eu@sunward.cc
🌐 www.sunward.eu

DEALER CONTACTS