

SCISSOR LIFTS  
**SWSL 0807 HD / 1212 HD / 1412 HD**

Drive Type: Hydraulic

Working Heights: 8 m / 12 m / 14 m



# OUR FEATURES ARE A GIVEN SET ACROSS THE RANGE

## Highest reach with assured stability

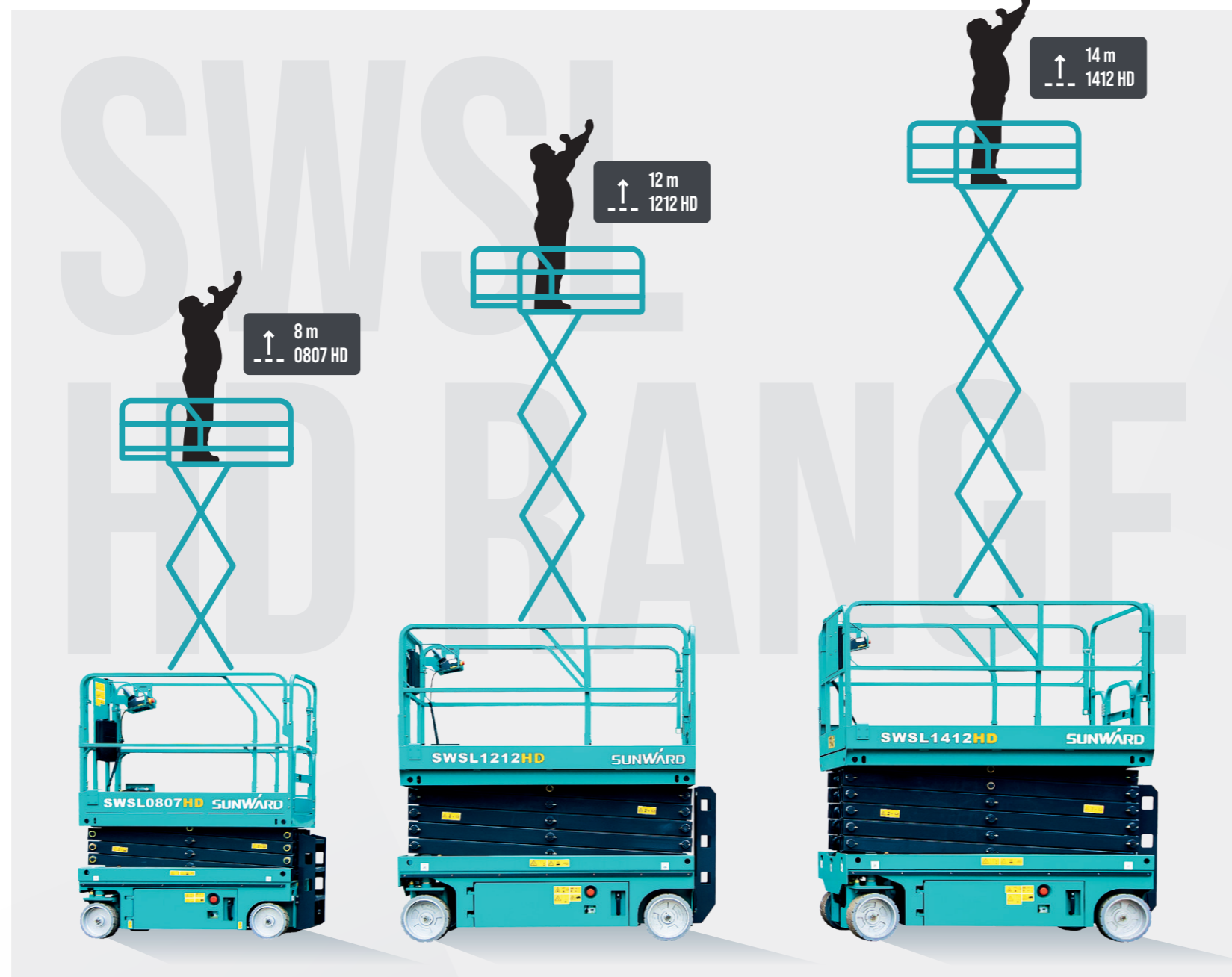
### Presenting Sunward's SWSL HD Range of Scissor Lifts

We are delighted to present to you our hydraulically-driven range of scissor lifts, from 8 m to 14 m in working height. These state-of-the-art scissor lifts feature excellent performance, comfortable and safe operation, and they're very nearly maintenance-free.

As you know, you must be able to fully trust your equipment. You need the stability of a safe and intelligent machine, you need compactness and maneuverability, and certainly a machine that has been thoughtfully designed to lead the market in longevity. That's precisely what we offer you with Sunward's SWSL HD range.

Products of our company's innovative DNA, our HD range of scissor lifts take you to the highest working heights with assured stability for enhanced performance, optimum efficiency, and ideal productivity. Sunward's scissor lifts create value for our customers and improve the quality of life.

Thank you for sharing our pride!



## Highest reach with assured stability for IDEAL PRODUCTIVITY

The first advantages of a scissor lift over traditional solutions are security and speed. In addition, at Sunward, we never compromise on reliability – which means safety and peace of mind.

From the way our SWSL HD range of scissor lifts are designed and produced, to the way their components are sourced, we build in stability, safety, and reliability. Which is especially important for the large rental market,

where the machines are operated by a variety of customers.

Furthermore, the 4 specially-adapted, non-marking wheels make Sunward's scissor lifts extra secure and suitable for finished buildings as well as external areas. With Sunward, you can drive the lift while the platform is raised up at full height. In other words, you just drive into position and start your work in seconds. It's simple with Sunward.



## Compact & Highly Maneuverable for OPTIMUM EFFICIENCY

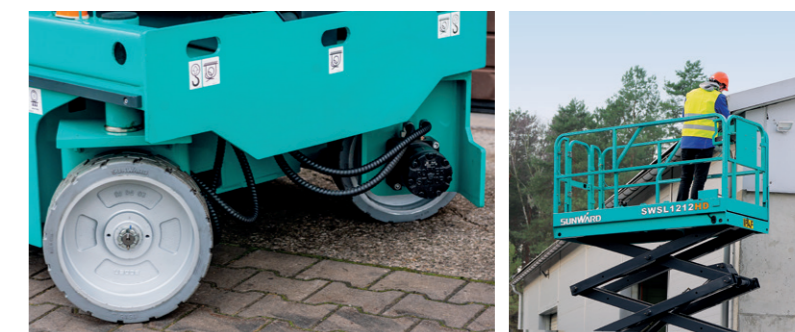
You can use a Sunward scissor lift wherever you need to work at height.

### PRIME EXAMPLES INCLUDE:

- Carrying out maintenance
- Changing lights
- Installing point-of-sale signs
- Accessing high shelves
- Work in a stock room or warehouse
- Fixing roll-over doors
- Fixing equipment mounted high up
- Maintaining and cleaning gutters
- Window cleaning
- Inspecting roofs
- Trimming trees and bushes
- and more...

In all these applications, you need to move from one spot to another and from indoors to outdoors, or vice-versa. And this is where the compactness and maneuverability of your Sunward scissor lift proves essential. Sunward is among the most compact in the 8 m, 12 m and 14 m categories (e.g., in the 8 m category, the machine's overall width is only 76 cm).

Sunward is a leader when it comes to the machine's turning radius too. The average turning radius on the market is around 2.38 m for the 12 m category and 2.41 m for the 14 m category. The turning radius of Sunward's SWSL 1212 HD and 1412 HD is only 2.2 m. So, with Sunward, you reach your work point quickly and precisely – without losing precious time maneuvering and adjusting the machine's position.



## Longevity for ENHANCED PERFORMANCE

Our scissor lifts are carefully designed and all key components are selected from the world's leading providers. For example, we chose the reliable Trojan battery, which provides many years of top performance. So, Sunward's HD electric scissor lifts operate with a hydraulic travel motor and rely on the best electric battery in the market to relay the power to fulfill all necessary operations. Rugged and nearly maintenance-free, the scissors themselves are designed to provide ultimate performance.

# Detailed Features Making A Whole Difference



**01 DESIGNED TO LAST**  
Sunward's specialized bending machine produces safe guard rails with the best longevity and protection on the market.



**02 PLATFORM CONTROL**  
either from the work platform itself or from the base of the unit – makes moving, rising, turning, and descending handy and easy.



**03 BATTERY SUPPLY**  
High-quality long-life batteries ensure long run-time before recharging. They also offer zero emissions and quiet operation for sensitive environments.



**04 AUTOMATIC POTHOLE PROTECTION**  
Automatic pothole protection ensures full stability during rising operations. The pothole protection lateral plate opens automatically to provide less ground clearance and greater stability.



**05 EASY DIAGNOSTICS**  
For easy maintenance, the 'to be serviced' code is displayed automatically. Thanks to the USB port, a smartphone can also be used for diagnostics.



**06 INTEGRATED CHARGER**  
The integrated charger prevents voltage surges to provide a higher level of protection. The storage memory function enables you to query the amount of charge in real-time.



**07 HYDRAULIC SYSTEM**  
The swing-out hydraulic oil tank and power module trays allow easy access to components for convenient service. With no stacked components, service is a snap – which reduces the cost of ownership.

# Direct Support within Europe

Sunward's European headquarters are strategically located in Beringen, Belgium, in the heart of Europe: 45 minutes from Brussels International Airport and 60 minutes from the port of Antwerp.



## Machines & Parts – Readily available

From its Beringen headquarters, Sunward Europe can ensure rapid delivery of machines and spare parts everywhere in Europe. Sunward machines and parts enjoy exceptional availability. Machines can be delivered within a few weeks from local dealers, and Sunward machine operators benefit from quick and easy access to a large parts distribution center in Beringen. Sunward Europe guarantees an availability rate of 95% for its spare parts.

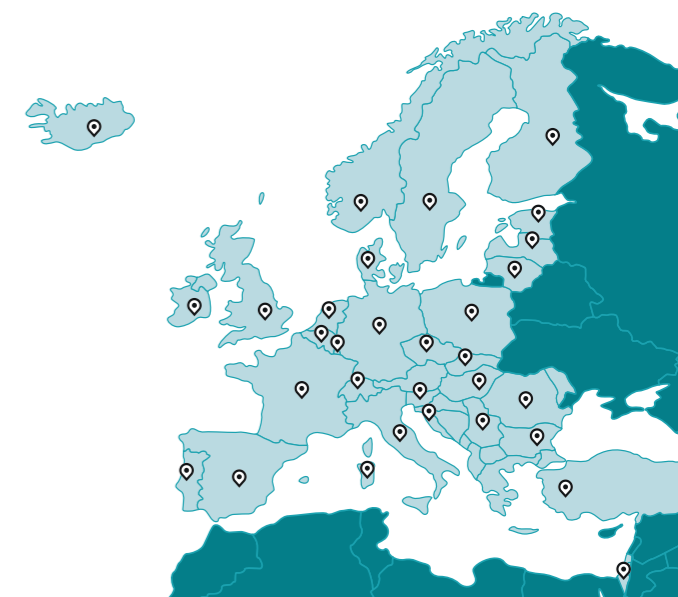


**PARTS CAN BE DELIVERED WITHIN 24 HOURS**

## Dealers all over Europe, UK and Middle-East

Dealers are at the heart of Sunward's passion for continuous improvement. Our dealers' knowledge is a real asset – their feedback from serving local market needs enhances our engineering and design innovations. Sunward's innovations create value – for machine operators and, ultimately, for our dealers.

Sunward provides Best Value for Money products to dealers and operators in a number of ways, especially through our Dealers' Parts Warehouse (DPW).

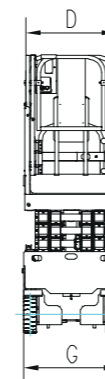
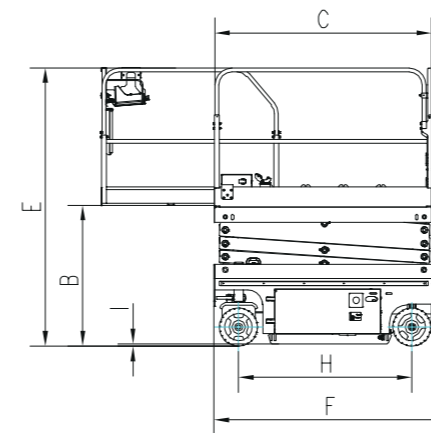
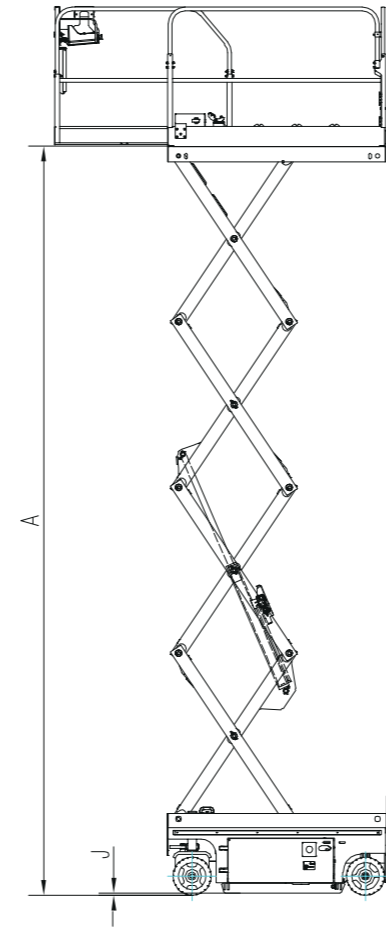


## TECHNICAL PARAMETERS

		SWSL 0807 HD	SWSL 1212 HD	SWSL 1214 HD
DIMENSIONS	Working height*	8 m	12 m	14 m
	A Platform height maximum	6 m	10 m	12 m
	B Platform height (stowed)	1.05 m	1.36 m	1.49 m
	C Platform length	1.7 m	2.27 m	2.27 m
	Slide-out platform extension deck	0.9 m	0.9 m	0.9 m
	D Platform width	0.74 m	1.15 m	1.15 m
	E Stowed height (rails up)	2.17 m	2.5 m	2.63 m
	Stowed height (rails down)	1.79 m	1.96 m	2.09 m
	F Overall length	1.86 m	2.47 m	2.47 m
	G Overall width	0.76 m	1.17 m	1.17 m
	H Wheelbase	1.38 m	1.87 m	1.87 m
	I Ground clearance (stowed)	0.07 m	0.11 m	0.11 m
	J Ground clearance (raised)	0.02 m	0.02 m	0.02 m
	PERFORMANCE	Lift capacity	230 kg	320 kg
Lift capacity (extension deck)		113 kg	113 kg	113 kg
Max. platform occupancy		2	2	2
Drive speed (stowed)		3.0 km/h	3.2 km/h	3.2 km/h
Drive speed (elevated)		0.8 km/h	0.8 km/h	0.8 km/h
Turning radius (inside)		0 m	0 m	0 m
Turning radius (outside)		1.67 m	2.2 m	2.2 m
Raise / lower speed		20 s/27 s	55 s/38 s	62 s/42 s
Gradeability**		25 %	25 %	25 %
Max. allowable working angle (lateral / longitudinal)		1.5°/3°	1.5°/3°	1.5°/3°
Controls		Proportional	Proportional	Proportional
Wheel driver		Dual front wheel	Dual front wheel	Dual front wheel
Multiple disc brakes		Dual rear wheel	Dual rear wheel	Dual rear wheel
Tires		305 mm × 100 mm	381 mm × 129 mm	381 mm × 129 mm
Battery	4 × 6 V/225 Ah	4 × 6 V/240 Ah	4 × 12 V/300 Ah	
Charger	24 V/30 A	24 V/30 A	24 V/30 A	
Weight	1530 kg	2940 kg	2980 kg	

\* Working height is equal to Platform height plus 2 m.

\*\* Climbing ability is suitable for driving on slopes; Refer to Operator Manual for slope level.



## STANDARD FEATURES

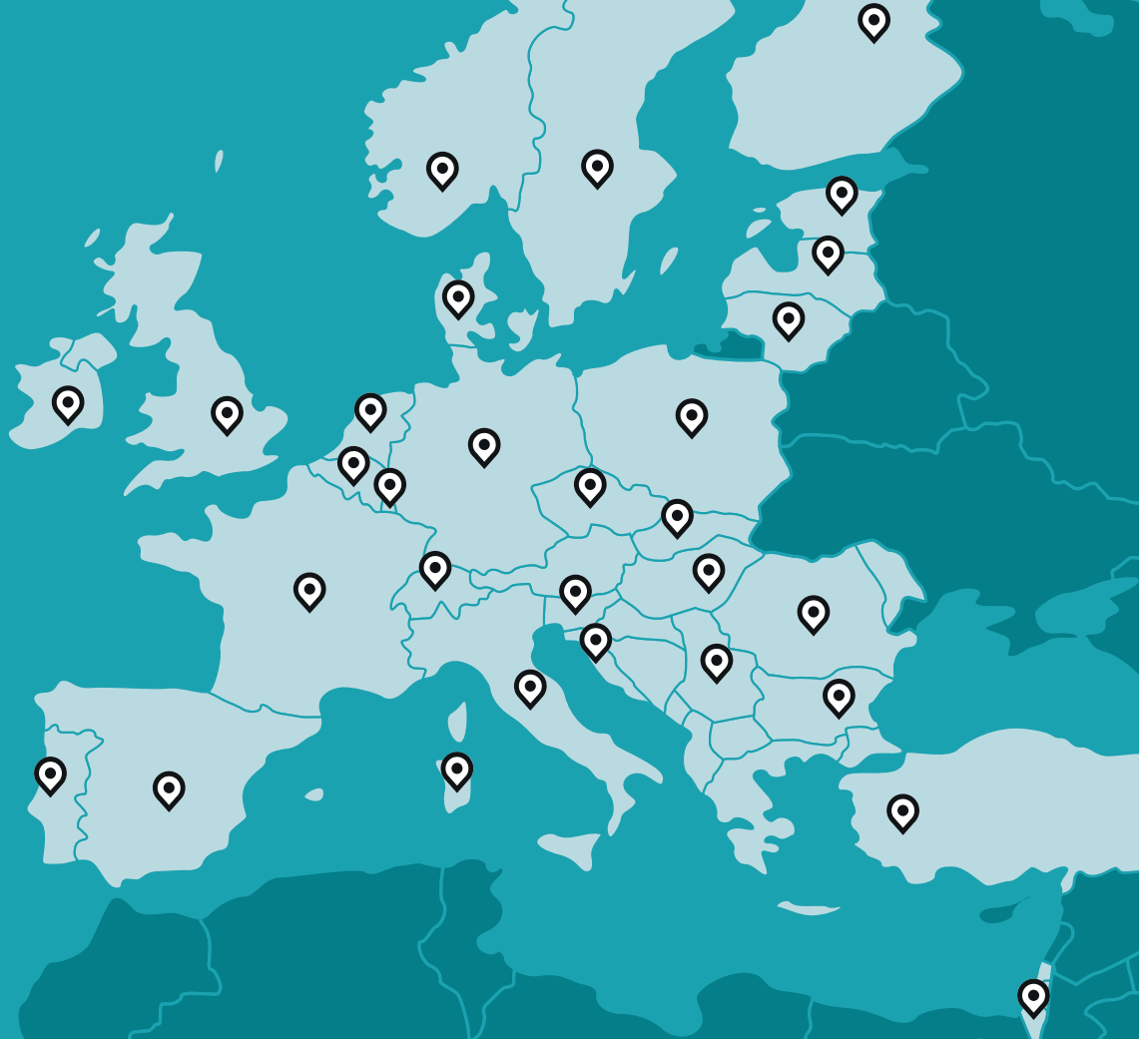
	SWSL 0807 HD	SWSL 1212 HD	SWSL 1214 HD
Proportional control	●	●	●
Solid tire	●	●	●
Horn	●	●	●
Pit protection device	●	●	●
Tilt sensor with alarm	●	●	●
Extended platform	●	●	●
Hour meter	●	●	●
Flashing beacon	●	●	●
Emergency descent system	●	●	●
Charging protection system	●	●	●
Folding guardrails platform	●	●	●
Standard transport forklift hole	●	●	●
Action beep	●	●	●
Emergency stop button	●	●	●
Fault diagnosis system	●	●	●
Self-lock gate on platform	●	●	●
Safety maintenance support rod	●	●	●
Dual front wheel drive	●	●	●
Automatic brakes system	●	●	●
Overload protection system	●	●	●

## OPTIONS FEATURES

	SWSL 0807 HD	SWSL 1212 HD	SWSL 1214 HD
Air line to platform	●	●	●
Maintenance-free battery	●	●	●
AC power to platform	●	●	●
Lithium battery and management system	●	●	●
GPS tracking system	●	●	●
Intelligent interconnection system	●	●	●
Platform work lights	●	●	●

Sunward has one or more dealers  
in each of these  countries.

Please check our website for our current list of dealers.



## SUNWARD EUROPE HEAVY INDUSTRY N.V

✉ Nijverheidsark 3, 3580

Beringen

Belgium

☎ +32 (0) 11 43 46 66

▶ info.eu@sunward.cc

🌐 www.sunwardeurope.com

## DEALER CONTACTS