

SCISSOR LIFTS  
**DC SERIES**

Drive Type: **Electro-Hydraulic**

Working Heights: **6.5 m / 8 m / 10 m / 12 m / 14 m**



# OUR FEATURES ARE A GIVEN SET

## Highest reach with assured stability

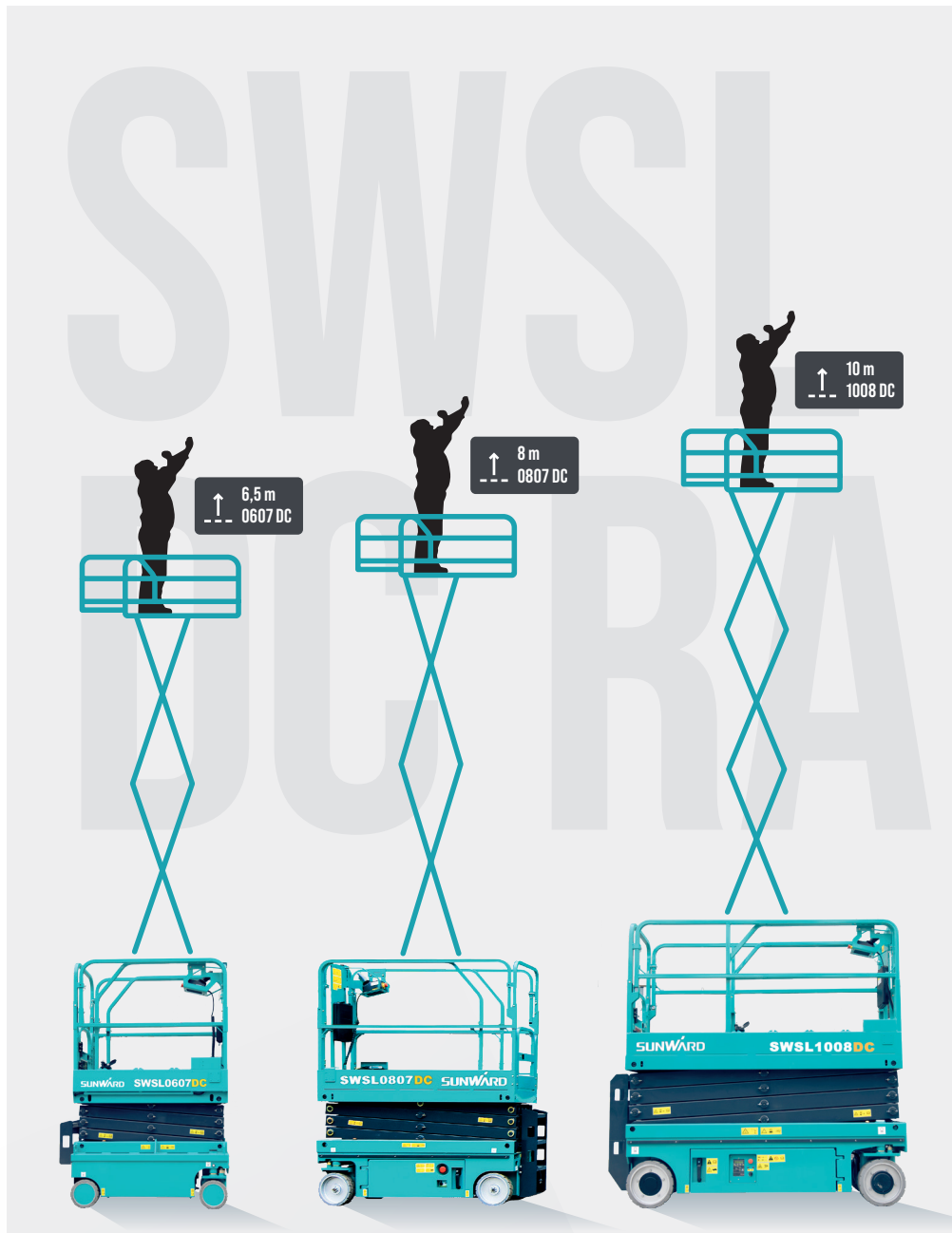
### Presenting Sunward's SWSL DC Range of Scissor Lifts

We are delighted to present to you our range of scissor lifts, from 6.5 m to 14 m in working height. These state-of-the-art scissor lifts feature excellent performance, comfortable and safe operation, and they're very nearly maintenance-free.

As you know, you must be able to fully trust your equipment. You need the stability of a safe and intelligent machine, you need compactness and maneuverability, and certainly a machine that has been thoughtfully designed to lead the market in longevity. That's precisely what we offer you with Sunward's SWSL DC range of scissor lifts.

Products of our company's innovative DNA, our range of scissor lifts take you to the highest working heights with assured stability for enhanced performance, optimum efficiency, and ideal productivity. Sunward's scissor lifts create value for our customers and improve the quality of life.

Thank you for sharing our pride!



## Highest reach with assured stability for IDEAL PRODUCTIVITY

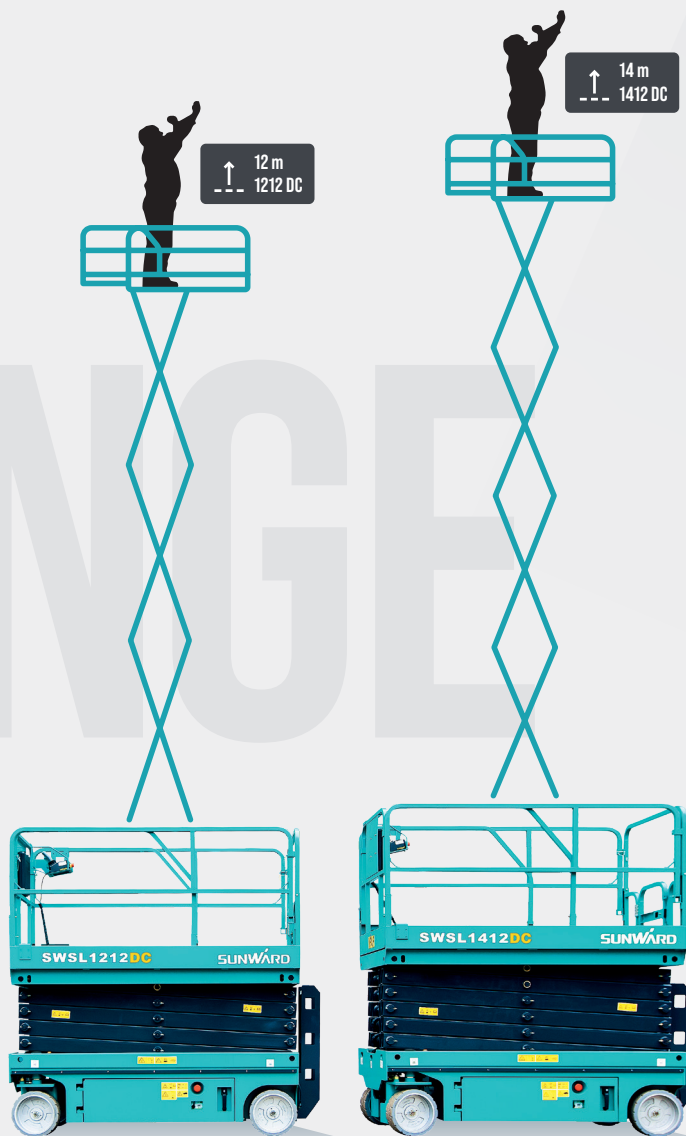
The first advantages of a scissor lift over traditional solutions are security and speed. In addition, at Sunward, we never compromise on reliability – which means safety and peace of mind.

From the way our range of scissor lifts are designed and produced, to the way their components are sourced, we build in stability, safety, and reliability. Which is especially important for the large rental market, where the machines are

operated by a variety of customers.

Furthermore, the 4 specially-adapted, non-marking wheels make Sunward's scissor lifts extra secure and suitable for finished buildings as well as external areas. With Sunward, you can drive the lift while the platform is raised up at full height. In other words, you just drive into position and start your work in seconds. It's simple with Sunward.

# ACROSS THE RANGE



## Compact & Highly Maneuverable for OPTIMUM EFFICIENCY

You can use a Sunward scissor lift wherever you need to work at height.

### PRIME EXAMPLES INCLUDE:

- Carrying out maintenance
- Changing lights
- Installing point-of-sale signs
- Accessing high shelves
- Work in a stock room or warehouse
- Fixing roll-over doors
- Fixing equipment mounted high up
- Maintaining and cleaning gutters
- Window cleaning
- Inspecting roofs
- Trimming trees and bushes
- and more...

In all these applications, you need to move from one spot to another and from indoors to outdoors, or vice-versa. And this is where the compactness and maneuverability of your Sunward scissor lift proves essential. Sunward is among the most compact in the 6,5 to 14 m categories (e.g., in the 8 m category, the machine's overall width is only 74 cm).

Sunward is a leader when it comes to the machine's turning radius too. The average turning radius on the market is around 2.38 m for the 12 m category and 2.41 m for the 14 m category. The turning radius of Sunward's SWSL 1212 DC and 1412 DC is only 2.2 m. So, with Sunward, you reach your work point quickly and precisely – without losing precious time maneuvering and adjusting the machine's position.



## Longevity for ENHANCED PERFORMANCE

Our scissor lifts are carefully designed and all key components are selected from the world's leading providers. For example, we chose the reliable Trojan battery, which provides many years of top performance. So, Sunward's DC electric scissor lifts operate an electric travel motor and rely on the best electric battery in the market to relay the power to fulfill all necessary operations. Rugged and nearly maintenance-free, the scissors themselves are designed to provide ultimate performance.

# Detailed Features Making A Whole Difference



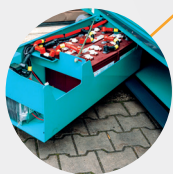
## 01 DESIGNED TO LAST

Sunward's specialized bending machine produces safe guard rails with the best longevity and protection on the market.



## 02 PLATFORM CONTROL

either from the work platform itself or from the base of the unit – makes moving, rising, turning, and descending handy and easy.



## 03 BATTERY SUPPLY

High-quality long-life batteries ensure long run-time before recharging. They also offer zero emissions and quiet operation for sensitive environments.



## 04 AUTOMATIC POTHOLE PROTECTION

Automatic pothole protection ensures full stability during rising operations. The pothole protection lateral plate opens automatically to provide less ground clearance and greater stability.



## 05 EASY DIAGNOSTICS

For easy maintenance, the 'to be serviced' code is displayed automatically. Thanks to the USB port, a smartphone can also be used for diagnostics.



# Direct Support within Europe

Sunward's European headquarters are strategically located in Tessenderlo, Belgium, in the heart of Europe: 45 minutes from Brussels International Airport and 60 minutes from the port of Antwerp.



## Machines & Parts – Readily available

From its Tessenderlo headquarters, Sunward Europe can ensure rapid delivery of machines and spare parts everywhere in Europe. Sunward machines and parts enjoy exceptional availability. Machines can be delivered within a few weeks from local dealers, and Sunward machine operators benefit from quick and easy access to a large parts distribution center in Tessenderlo. Sunward Europe guarantees an availability rate of 95% for its spare parts.

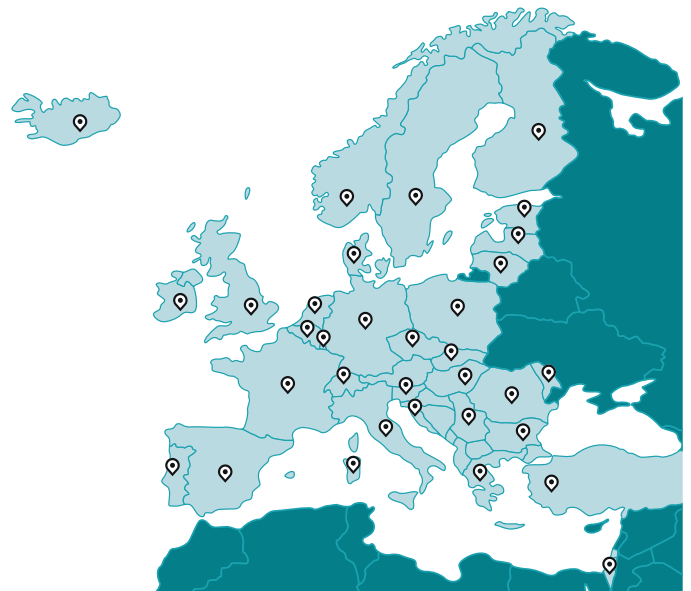


**PARTS CAN BE DELIVERED  
WITHIN 24 HOURS**

## Dealers all over Europe, UK and Middle-East

Dealers are at the heart of Sunward's passion for continuous improvement. Our dealers' knowledge is a real asset – their feedback from serving local market needs enhances our engineering and design innovations. Sunward's innovations create value – for machine operators and, ultimately, for our dealers.

Sunward provides Best Value for Money products to dealers and operators in a number of ways, especially through our Dealers' Parts Warehouse (DPW).



### 07 HYDRAULIC SYSTEM

The swing-out hydraulic oil tank and power module trays allow easy access to components for convenient service. With no stacked components, service is a snap – which reduces the cost of ownership.



### 06 INTEGRATED CHARGER

The integrated charger prevents voltage surges to provide a higher level of protection. The storage memory function enables you to query the amount of charge in real-time.



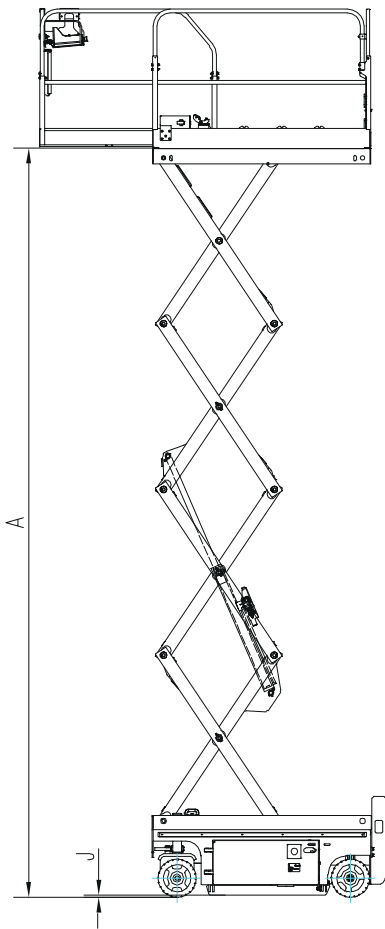
# TECHNICAL PARAMETERS

		SWSL 0607DC	SWSL 0807DC	SWSL 1008DC	SWSL 1212DC	SWSL 1412DC
TYPE	Drive type	Electric				
	Max. working height*	6.5 m	8 m	10 m	12 m	14 m
	A Max. platform height	4.5 m	6 m	8 m	10 m	12 m
	B Platform height (stowed)	0.95 m	1.05 m	1.26 m	1.36 m	1.49 m
	C Platform length	1.29 m	1.7 m	2.27 m	2.27 m	2.27 m
	Slide-out platform extension deck	0.6 m	0.9 m	0.9 m	0.9 m	0.9 m
	D Platform width	0.7 m	0.74 m	0.81 m	1.15 m	1.15 m
	E Stowed height (rails up)	2.06 m	2.17 m	2.36 m	2.49 m	2.63 m
	Stowed height (rails down)	1.7 m	1.79 m	1.86 m	1.95 m	2.09 m
	F Overall length	1.44 m	1.86 m	2.46 m	2.47 m	2.47 m
	G Overall width	0.76 m	0.76 m	0.83 m	1.17 m	1.17 m
	H Wheelbase	1.05 m	1.38 m	1.87 m	1.87 m	1.87 m
	I Ground clearance (stowed)	0.06 m	0.083 m	0.11 m	0.11 m	0.11 m
	J Ground clearance (raised)	0.017 m	0.02 m	0.02 m	0.02 m	0.02 m
PERFORMANCE	Lift capacity	240 kg	230 kg	230 kg	320 kg	320 kg
	Lift capacity (extension deck)	100 kg	113 kg	113 kg	113 kg	113 kg
	Max. platform occupancy	2	2	2	2	2
	Drive speed (stowed)	3.6 km/h	4.5 km/h	4.5 km/h	4.0 km/h	4.0 km/h
	Drive speed (elevated)	0.8 km/h	0.8 km/h	0.8 km/h	0.8 km/h	0.8 km/h
	Turning radius (inside)	0.4 m	0 m	0 m	0 m	0 m
	Turning radius (outside)	1.6 m	1.67 m	2.1 m	2.2 m	2.2 m
	Raise / lower speed	20 s/22 s	20 s/27 s	32 s/40 s	55 s/38 s	62 s/42 s
	Max. gradeability**	30%	25%	25%	25%	25%
	Max. allowable working angle (lateral / longitudinal)	1.5°/3°	1.5°/3°	1.5°/3°	1.5°/3°	1.5°/3°
	Controls	Proportional	Proportional	Proportional	Proportional	Proportional
	Drive	DC motor rear	DC motor front	DC motor front	DC motor front	DC motor front
	Wheel driver	Dual rear wheel	Dual front wheel	Dual front wheel	Dual front wheel	Dual front wheel
	Multiple disc brakes	Dual rear wheel	Dual front wheel	Dual front wheel	Dual front wheel	Dual front wheel
	Tires	230 mm × 80 mm	323 mm × 100 mm	381 mm × 127 mm	381 mm × 127 mm	381 mm × 127 mm
	Battery	2 × 12 V/85 Ah	4 × 6 V/210 Ah	4 × 6 V/225 Ah	4 × 6 V/240 Ah	4 × 12 V/300 Ah
	Charger	24 V/15 A	24 V/30 A	24 V/30 A	24 V/30 A	24 V/30 A
Weight	900 kg	1 545 kg	2 100 kg	2 950 kg	3 000 kg	

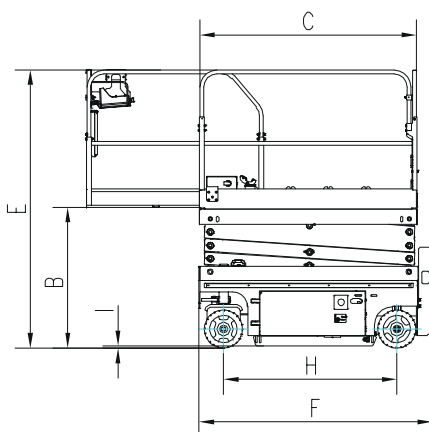
\* Working height is equal to Platform height plus 2 m.

\*\* Climbing ability is suitable for driving on slopes; Refer to Operator Manual for slope level.

## STANDARD FEATURES

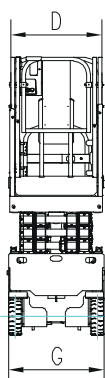


	SWSL 0607DC	SWSL 0807DC	SWSL 1008DC	SWSL 1212DC	SWSL 1412DC
Proportional control	•	•	•	•	•
Solid tire	•	•	•	•	•
Horn	•	•	•	•	•
Pit protection device	•	•	•	•	•
Tilt sensor with alarm	•	•	•	•	•
Extended platform	•	•	•	•	•
Hour meter	•	•	•	•	•
Flashing beacon	•	•	•	•	•
Emergency descent system	•	•	•	•	•
Charging protection system	•	•	•	•	•
Folding guardrails platform	•	•	•	•	•
Standard transport forklift hole	•	•	•	•	•
Action beep	•	•	•	•	•
Emergency stop button	•	•	•	•	•
Fault diagnosis system	•	•	•	•	•
Self-lock gate on platform	•	•	•	•	•
Safety maintenance support rod	•	•	•	•	•
Dual front wheel drive	•	•	•	•	•
Automatic brakes system	•	•	•	•	•
Overload protection system	•	•	•	•	•



## OPTIONS FEATURES

	SWSL 0607DC	SWSL 0807DC	SWSL 1008DC	SWSL 1212DC	SWSL 1412DC
Air line to platform	•	•	•	•	•
Overload protection system	•	•	•	•	•
AC power to platform	•	•	•	•	•
Lithium battery and management system	•	•	•	•	•
GPS tracking system	•	•	•	•	•
Intelligent interconnection system	•	•	•	•	•
Platform work lights	•	•	•	•	•



Sunward has one or more dealers  
in each of these  countries.

Please check our website for our current list of dealers.



## SUNWARD EUROPE HEAVY INDUSTRY N.V

✉ Havenlaan 1  
B-3980 TESSENDERLO  
Belgium

☎ +32 (0) 11 43 46 66  
▶ info.eu@sunward.cc  
🌐 www.sunward.eu

## DEALER CONTACTS